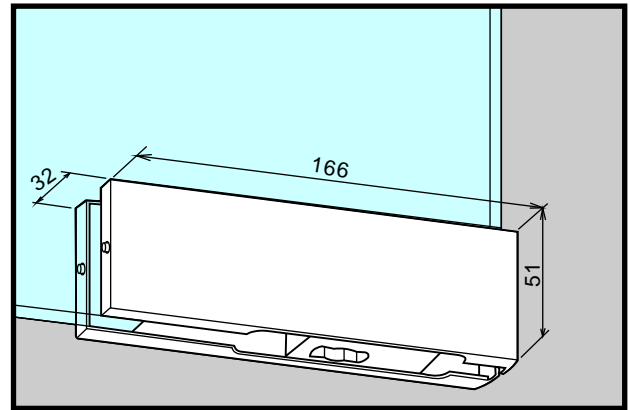
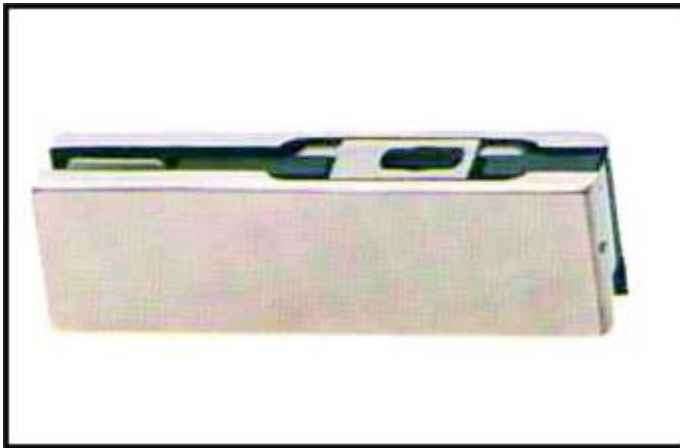


GD10

PATCH FITTING

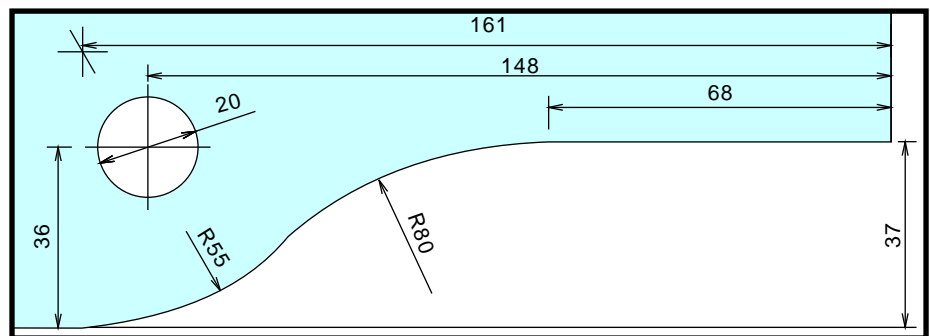


GD-10

Bottom Patch

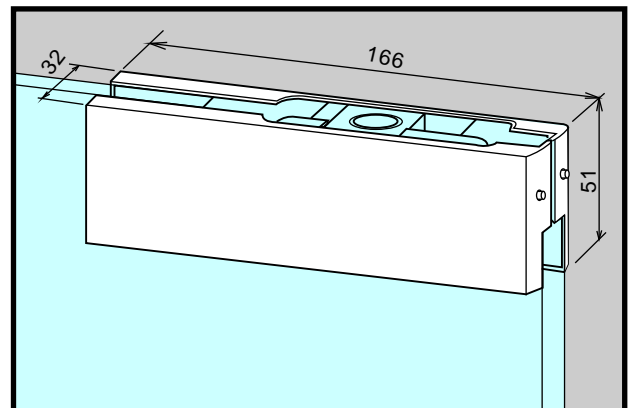
With insert for Dorma, New Star or MAB floor spring.

(下夾角) 規格齊全, 可搭配 Dorma, New Star, 或MAB地鉸鏈



GD20

PATCH FITTING

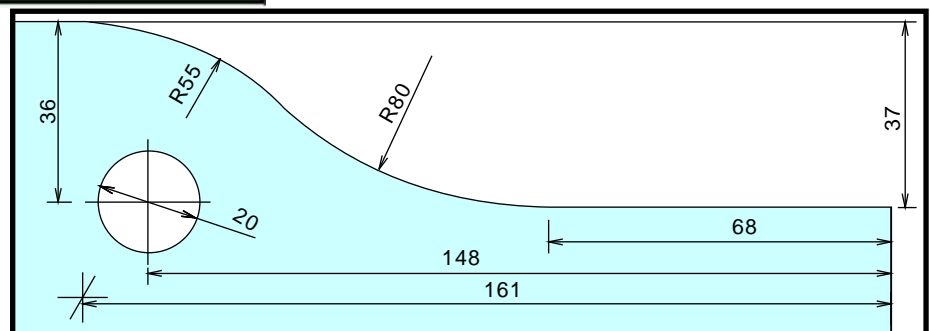


GD-20

Top Patch

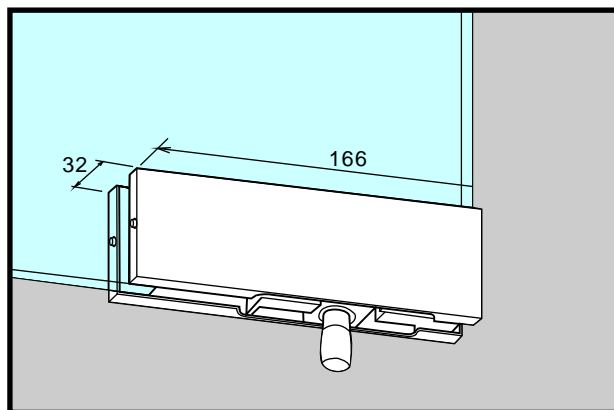
With plastic socket for top pivot 12.5/15mm

(上夾角) 12.5/15mm 樞軸孔,



GD30

PATCH FITTING

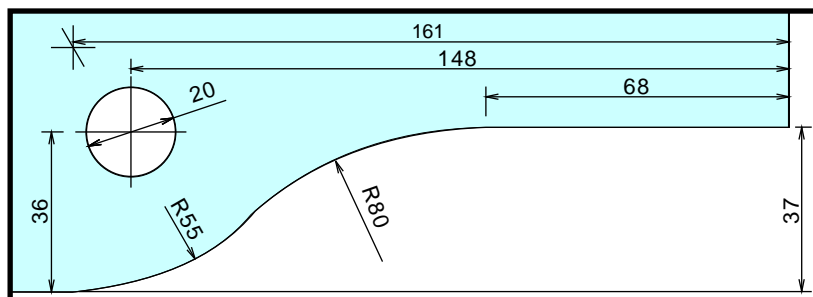


GD-30

Over-Panel Patch

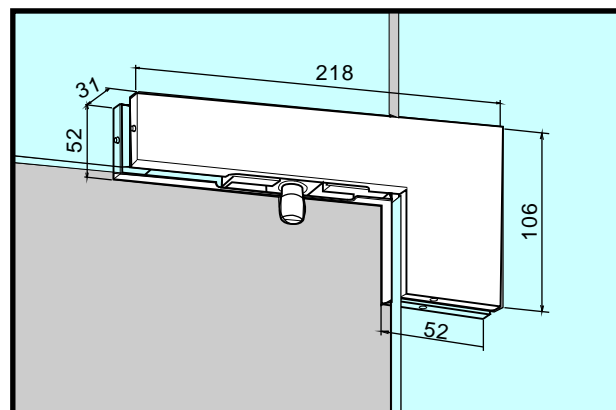
With pivot 12.5/15mm

(門框夾角)12.5/15mm 樞軸



GD40

PATCH FITTING

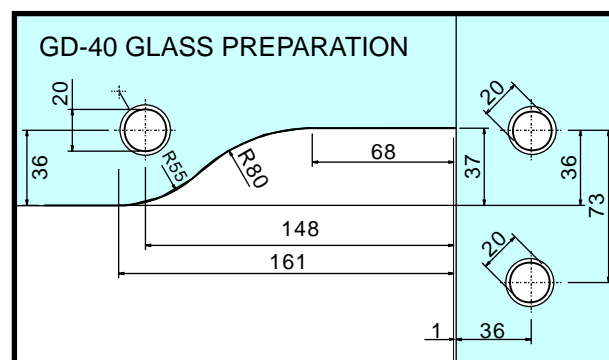


GD-40

Patch for Over-Panel and Side-Panel

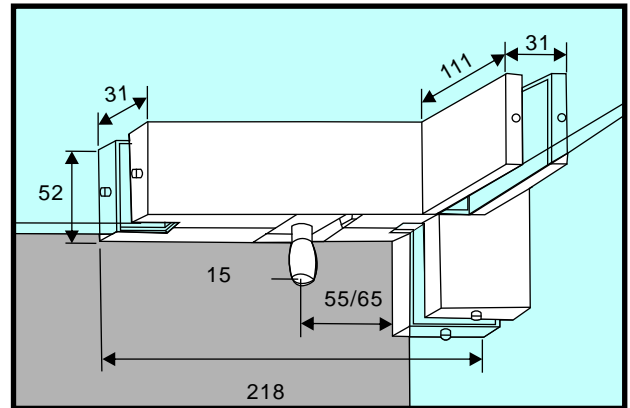
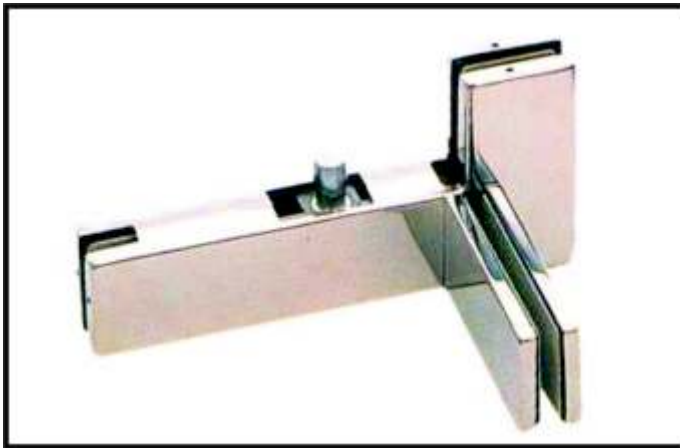
With pivot 12.5/15mm

(門框L型夾角)12.5/15mm 樞軸



GD41

PATCH FITTING

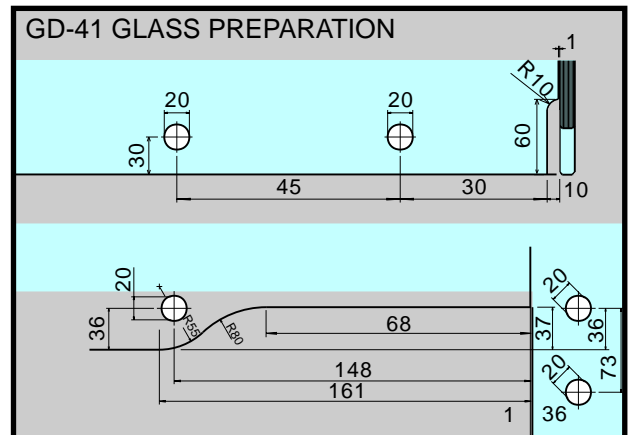


GD-41

Patch for Over-panels and Side-Panel
With fin Fitting inside

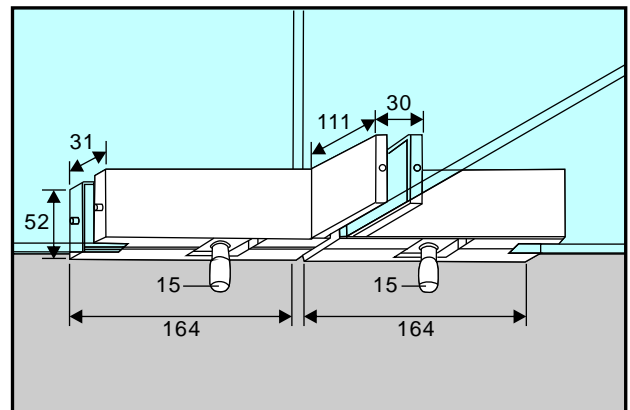
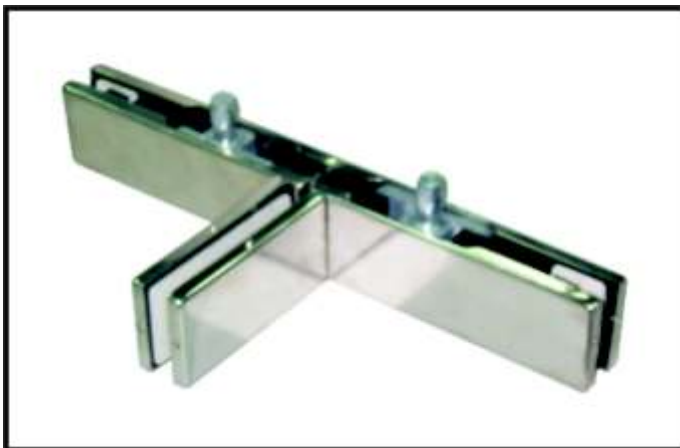
With pivot 12.5/15mm

(門框Y型夾角)12.5/15mm 樞軸



GD51

PATCH FITTING

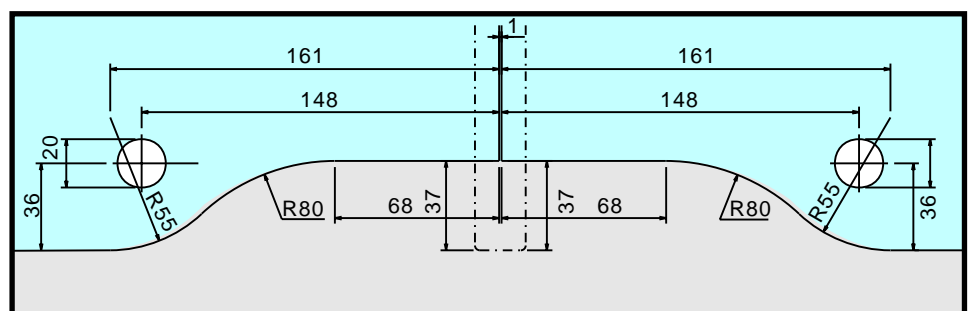


GD-51

Patch for Over-panel With
fin Fitting inSide for Back
to Back doors.

With two pivots 12.5/15mm

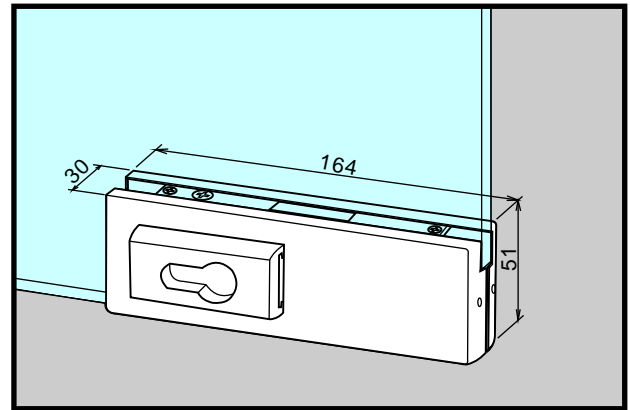
(門框T型夾角)12.5/15mm 樞軸



GL10

PATCH FITTING

armor

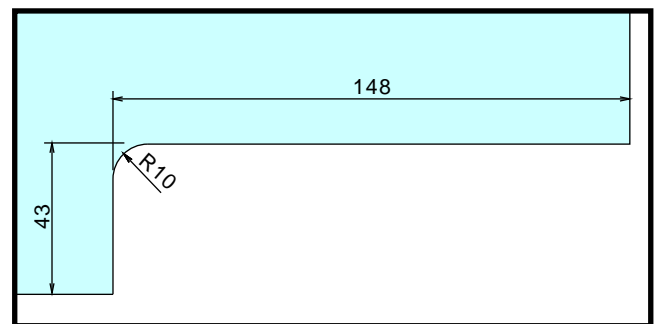


GL-10

Corner lock

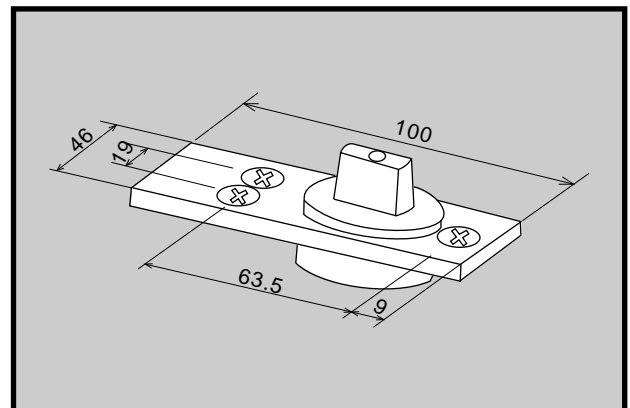
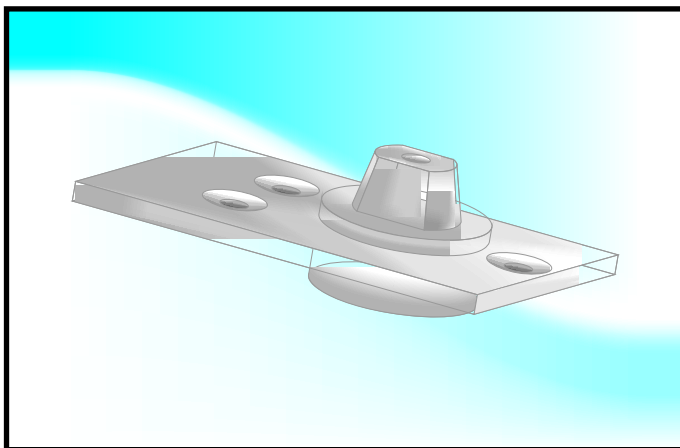
Prepared for Europrofile cylinder single throw, bolt projection 20mm, with security profile escutcheon. New pattern design, easy installation or replacement without 'taking the door off'. Save your money and time.

(天)地鎖 (專利設計, 安裝或維修時
不需拆門, 省時省工)



GD05

PATCH FITTING

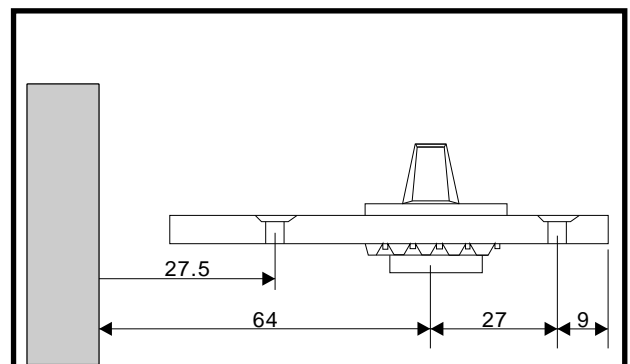


GD-05

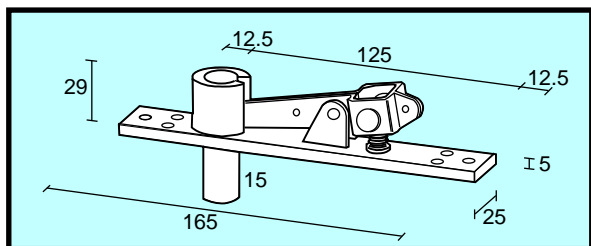
HEAVY DUTY FLOOR PIVOT BEARING (WITH FLAT TAPERED SPINDLE)

Max. Door weight 200 kg.

重型滾珠培林式下樞軸組成
(搭配DORMA TYPE 凸輪)
承載最大門重 200Kg.



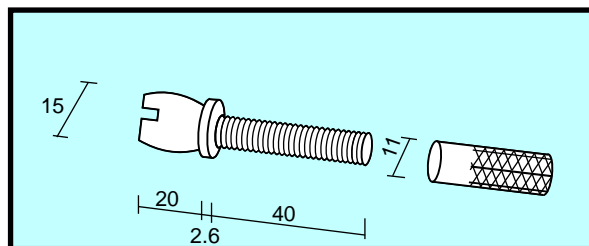
GD-21



Frame portion

Top centre with removable pin 15mm
可調式門上框樞軸，15mm軸心

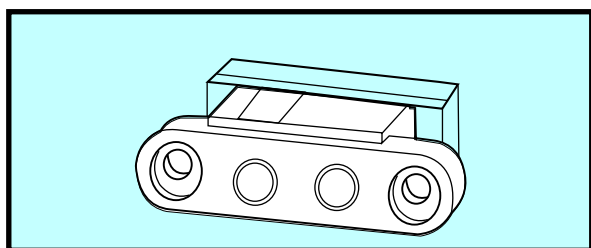
GD-25



Pivot 12.5/15mm with plug

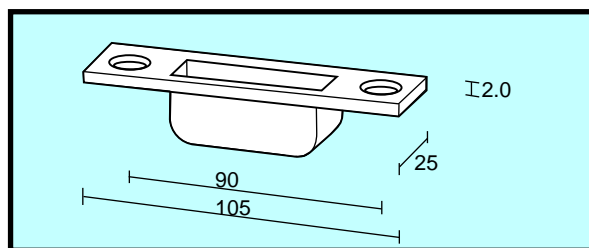
12.5/15mm固定式門上框樞軸及水泥栓

GD-23



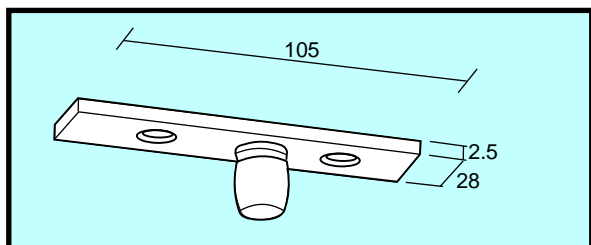
Insert for Concealed Overhead Closer
天鉸鏈專用接頭

GL-01



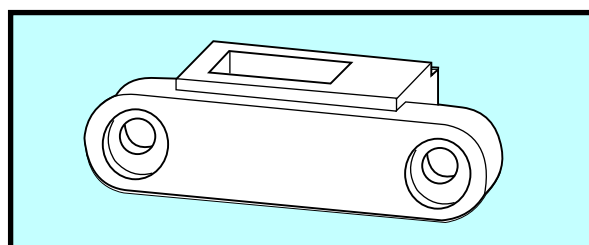
Easy clean lock keeper
地鎖封口座

GD-24



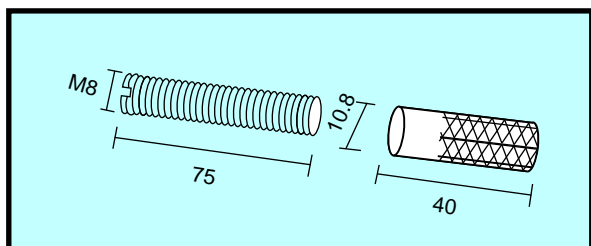
Pivot 12.5/15mm with fixing plate
固定式門上框樞軸, 12.5/15mm軸心

GD-10(M.N)



Bottom Insert
專用接頭

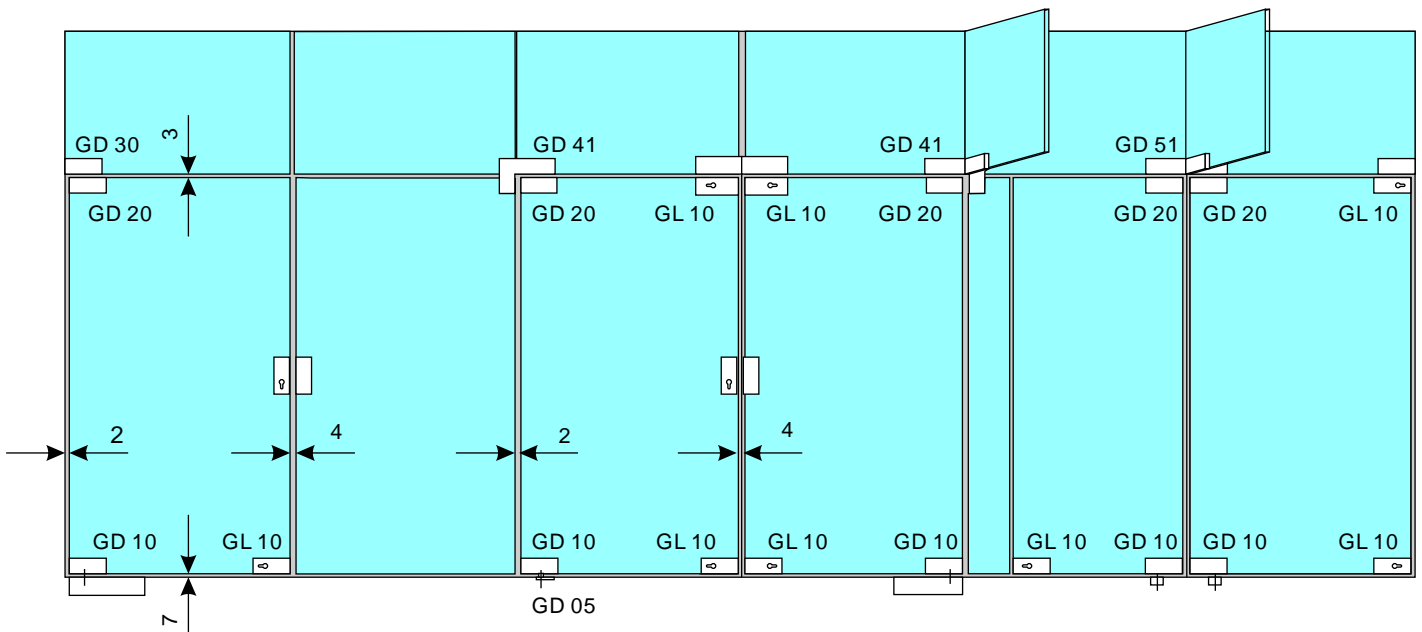
GD-26



Threaded rod m8 with plug for over-panel patch
GD-30用加強螺栓組

夾角型號	適用地鉸鏈品牌型號			
GD-10D	Dorma 地鉸鏈全系列			Armor/Hit地鉸鏈 850.860系列
GD-10N		New Star 地鉸鏈全系列		Armor/Hit地鉸鏈 NH2000系列
GD-10M			MAB 地鉸鏈全系列	Armor/Hit地鉸鏈 400系列

Typical Assemblies



Modern design glass door closer accessories. Wide range of design offer different kind fo installation. Available with Dorma type, New star, Ryobi or Mab type insert, enable flexible interchange in after-service market. Available in polished Stainless steel, satin stainless steel, and polished brass finish. Special design of GL-10 corner lock provide easy replacement after installation by ' No door taking off' application.

具現代感之外型設計，產品項目齊全可適合於不同情況之安裝。下門夾可與DORAM型、ENW STAR型、RYOBI 型，或MAB 型之地鉸鏈軸心配合。提供鏡面不鏽鋼，霧面不鏽鋼及鏡面銅之表面可供選擇。特殊設計之鎖夾，在更換時不需拆門，省時省工。



The ARMOR H.T family of Architectural Hardware products has been manufactured for over a generation. The ARMOR H.T name has become a hallmark for quality and service throughout the world. Its second generation of products has already become a leader in its field.

ARMOR 品牌關門器，地鉸鏈等建築五金產品，於世界各國銷售已有二十餘年之歷史。品質為各地國家標準所肯定。
(CNS、CUS、UL-C、SISIR、CISIR.....)
ARMOR 基於服務社會之精神，持續研發新產品，希望帶給你生活上更多的便利與品味。