

armor



FH200 SERIES FLOOR CLOSER

FEATURES

Non-handed Canter Hung or Offset with accessories.

Independent regulating valves for closing (120 °-15 °) and latching (15 °-0 °) speeds.

Accommodates doors weighing up to 250 lb. and measuring up to 42" wide.
Light duty model available.

Easy door adjustments

90° hold-open or non hold-open available.

Accessories available for patch fitting.

Technical Data

	FH202	FH203
Spring strength		
Door Width	Up to 37"	37" to 41"
Door Weight (lb.)	88-154	154-24
Closing Force (lbf)(min.)	3.2	24.5
Double action door	Yes	Yes
Closing and Latching speed variable by valve adjustment	Yes	Yes
Back-Check, mechanical	Yes	Yes
Door Open/Hold-Open Degree		
120 °No Hold-Open	Option	Option
120 °90 °Hold-Open	Option	Option
Dimensions in mm		
Length X Width X Height	273 X 130 X 50	

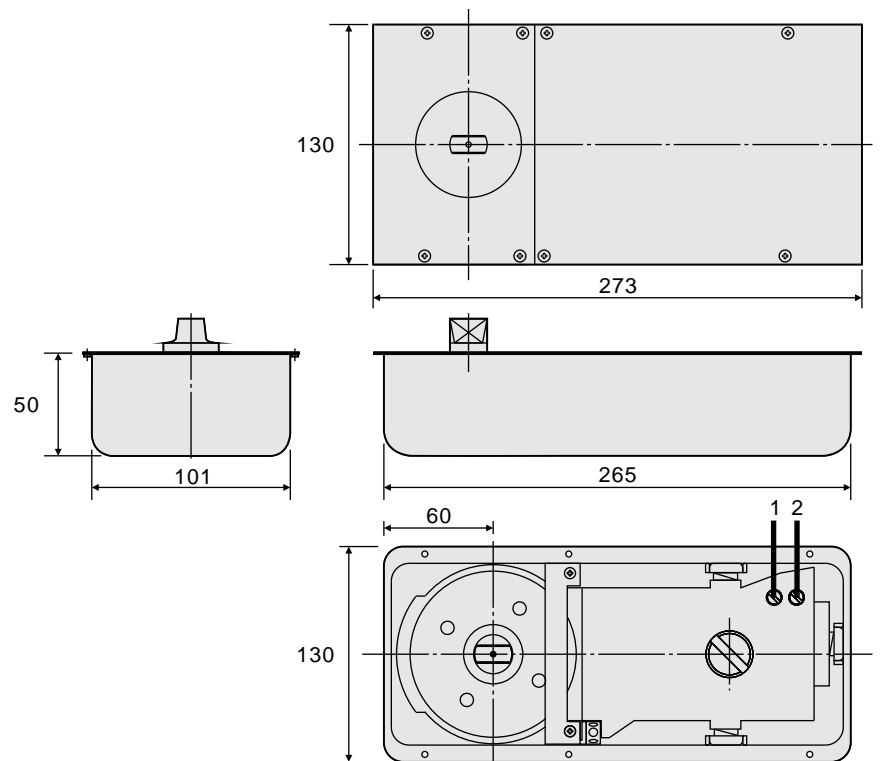
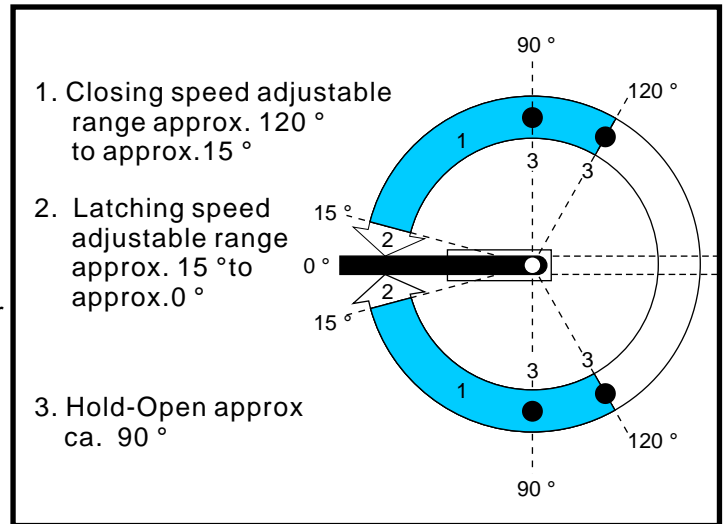
Selectable functions

Door Control

Two independent valve control the closing and latching speeds. The closing action starts with the door fully open and ends at 15° from the closed position. At this point the latching valve takes over, thus allowing the door to close at the desired speed.

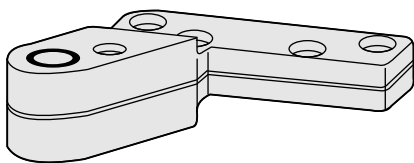
Hold-Open

With the Hold-Open feature (optional extra), the door can be held at angles of either 90°

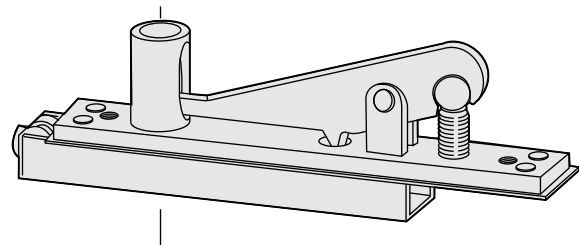


1. Closing speed Valve
2. Latching speed Valve

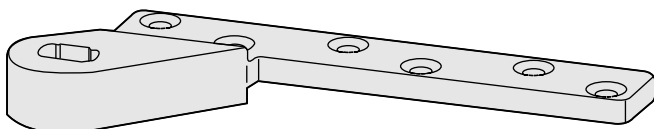
Options and accessories



Eccentric Pivot



Retractable top centre



Eccentric arm



HENG KUOCO., LTD. — TAIWAN
KUNSHAN HENG KUO MACHINERY CO., LTD

TAIWAN PLANT : No 136, Ren De 5, Ta-Shi, Tao Yuan Hsien, Taiwan, R. O. C
TEL : 886-3-380-2101 FAX : 886-3-380-2123
KUN SHAN PLANT : No 388 Lu Cnen Road Kun Shan City China
TEL : 86-512-86186625 FAX : 86-512-57570392