

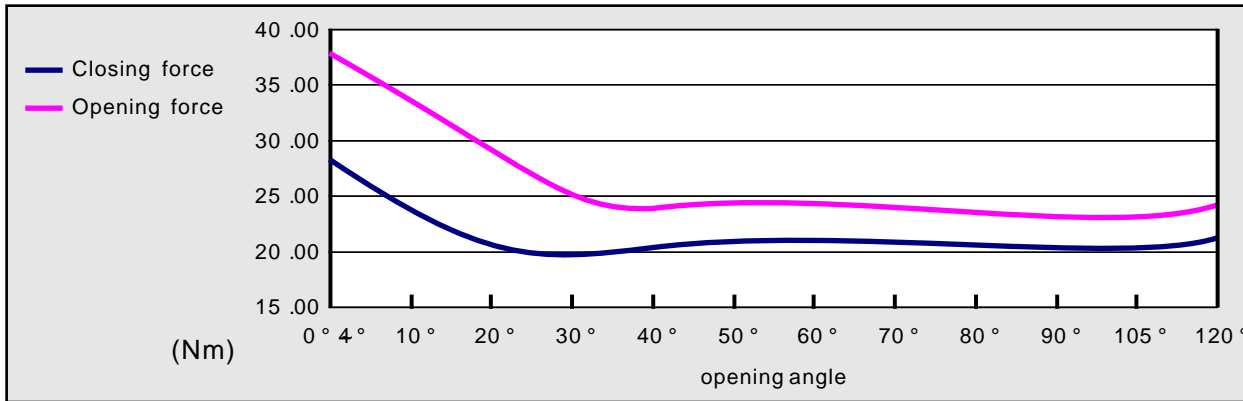
armor Cam Action

CD60CA Concealed Door Closer - Power Adjustable

The CD60CA Series is a cam action concealed door closer. The cam action design is ideal, as it provides much greater efficiency than a rack and pinion door closer. It provides much lower opening resistance while delivering optimum closing force and control. The door closer's adjustable closing power permits use in the medium to heavy duty demanding situations, with its efficiency and flat power curve can be the ideal solution for your heavy doors.



Size 4 efficiency chart



(1) Cast iron body for high strength and last longer cycles

(2) Closer spring power adjustable, power 2-4.

One unit can be used on different forces required to close a door

(3) Cam action technology provides high efficiency, and easy open, safe and reliable closing power for door application

(4) Closing speed valve controls how fast the door closer from fully open to 15° closed position

(5) Latching speed valve controls the speed of door from 15°-0° close position

(6) Hold open or Non hold open function available on every closer

steel made artistic door

exterior door

interior door



SELECTION CHART

Size	DOOR WIDTH (mm)	DOOR WEIGHT (Kgs)
2	760~850	20 -40
3	850~950	40 -60
4	950~1100	60~80

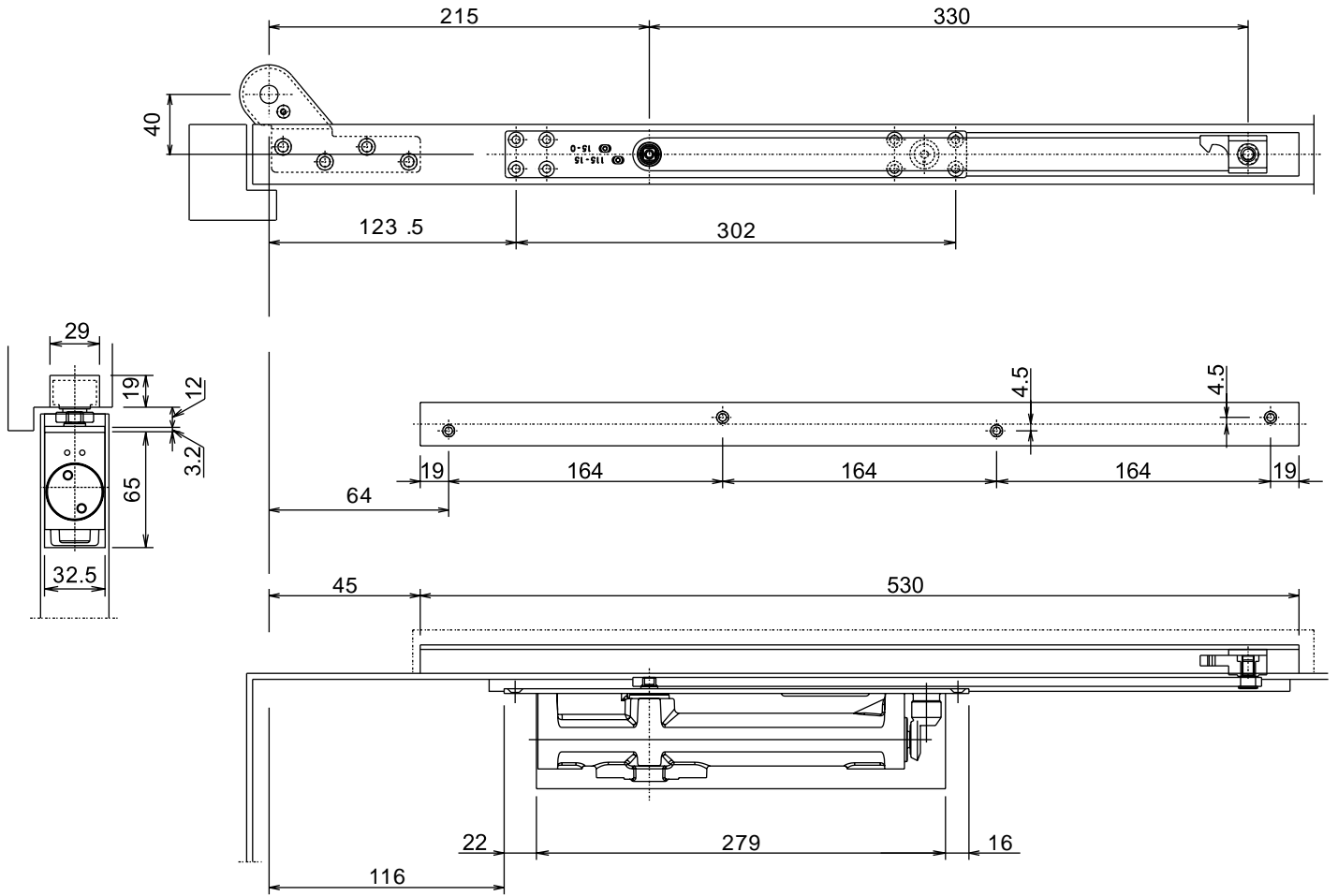
(-) counterclockwise, (+) clockwise, pre-set turned zero



HENG KUO CO., LTD. - (TAIWAN)
KUNSHAN HENG KUO MACHINERY CO., LTD

TAIWAN PLANT : No.136, Rende 5th St., Daxi Dist.,
 Taoyuan City 335, Taiwan (R.O.C.)
 TEL : 886-3-380-2101 FAX : 886-3-380-2123
 CHINA PLANT : No.388 Lu Cnen Road kun Shan City CHINA
 TEL : 86-512-861-86625 FAX : 86-512-575-70392

(LEFT HAND DOOR) For opening to 115 °



(RIGHT HAND DOOR) For opening to 115 °

