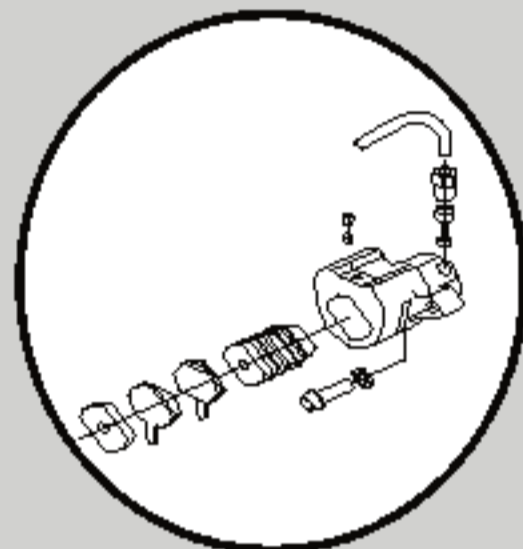
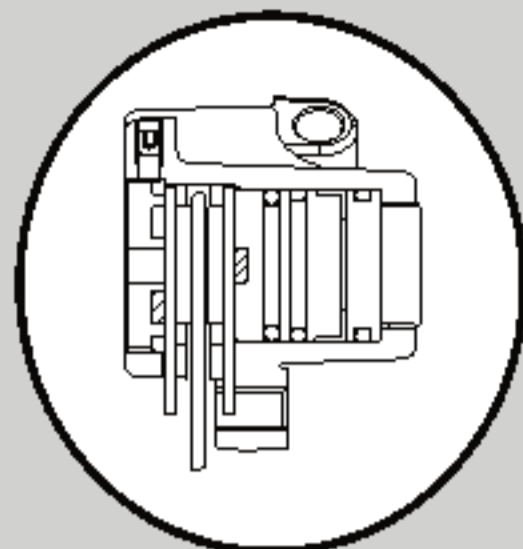


# ARMOR 610 DISC BRAKE



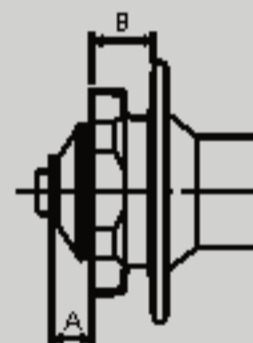
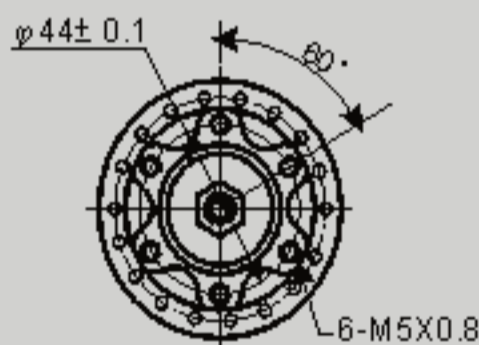
1. Full hydraulic close system with single retractable piston
2. Alloy aluminum caliper body
3. Retractable piston to prevent the brake being locked
4. Non-asbestos brake pads for better heat resistance
5. Easy pads replacement
6. Matching lever and industry-standard size hydraulic cable (5.5mm dia) included.
7. International standard mount for 160mm (front) and 140mm (rear) rotors
8. Adapters for 180mm (front) and 160mm (rear) rotors are available



## Hub Applications :

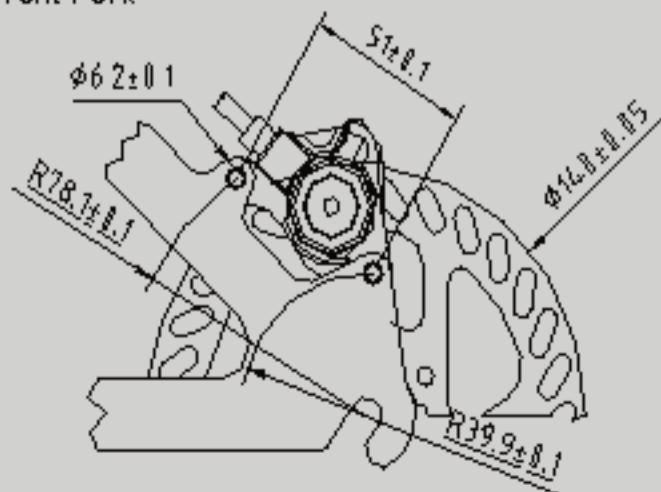
Dimension:mm

	SPECIFICATION	
	A	B
Front wheel	10.5	14.1
Rear wheel	15.25	16.2



## Dimensions of Front Fork and Frame Applications :

Front Fork



Frame

