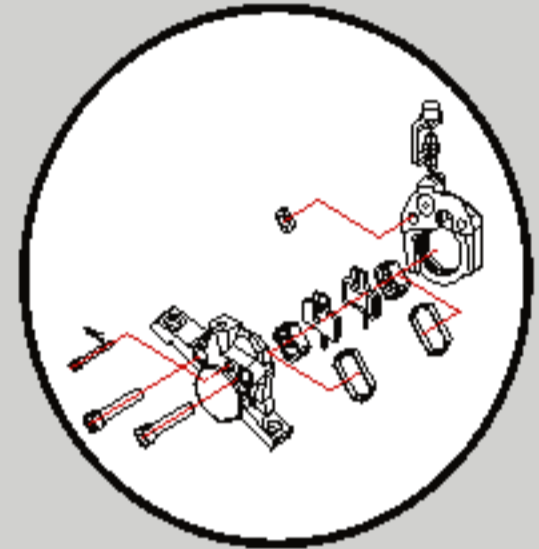
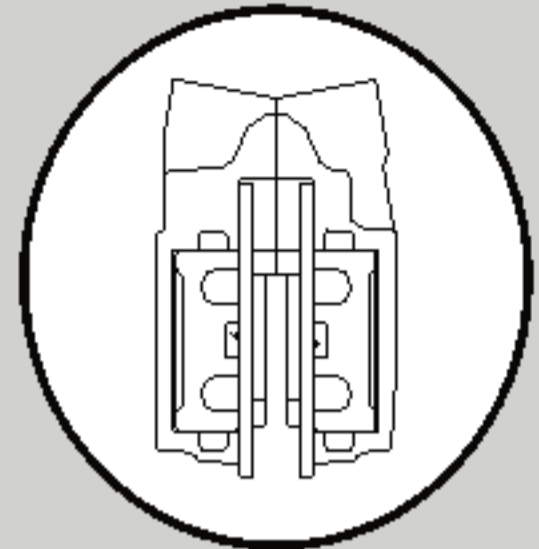


ARMOR 520N DISC BRAKE



1. Full hydraulic open system with dual pistons
2. Alloy aluminum caliper body
3. Auto pad adjustment
4. Non-bestos brake pads for better heat resistance
5. Easy pads replacement
6. Fixed caliper fits 70mm M. T. Mount
7. 51mm adapters included for international standard mount for 180/160mm (front/rear) or 160/140mm (front/rear) rotors.
8. Matching lever and industry-standard size hydraulic cable(5.5 mm dia.) Included.

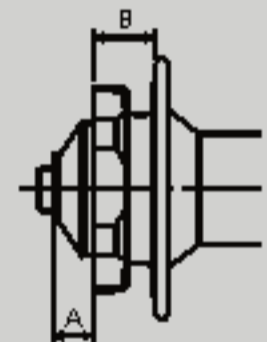
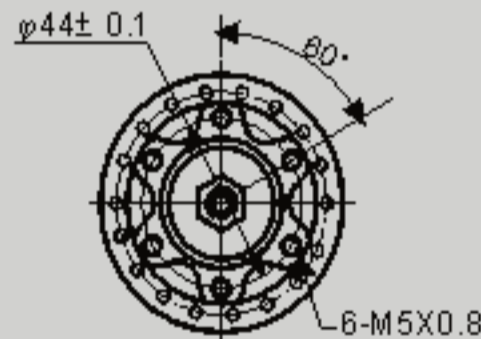
Not available in U. S. A.



Hub Applications :

Dimension:mm

	SPECIFICATION	
	A	B
Front wheel	10.5	14.1
Rear wheel	15.25	16.2



Dimensions of Front Fork and Frame Applications :

Front Fork

Frame

