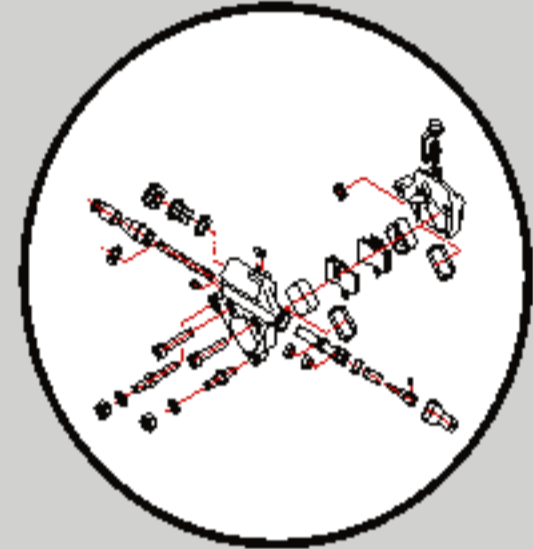
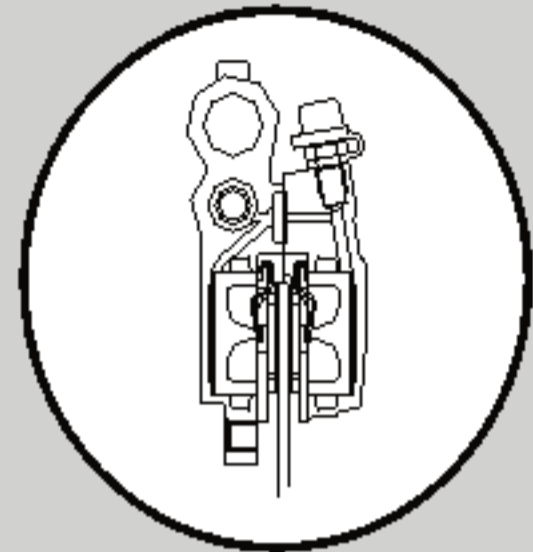


ARMOR 310 DISC BRAKE

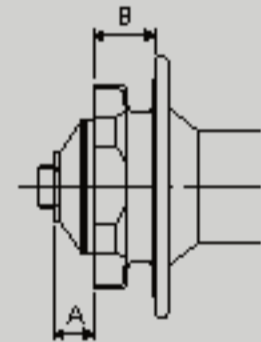
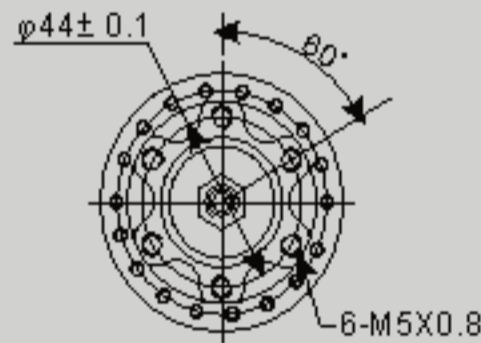
1. Mechanical actuated hydraulic caliper with a build-in clutch dual pistons
2. Alloy aluminum caliper
3. Caliper adjusting bolts
4. Auto pad adjustment
5. Non-asbestos brake pads for better heat resistance
6. Easy pads replacement
7. International standard mount for 160mm (front) and 140mm (rear) rotors.
8. Adapters for 180mm (front) and 160mm (rear) rotors are available.



Hub Applications :

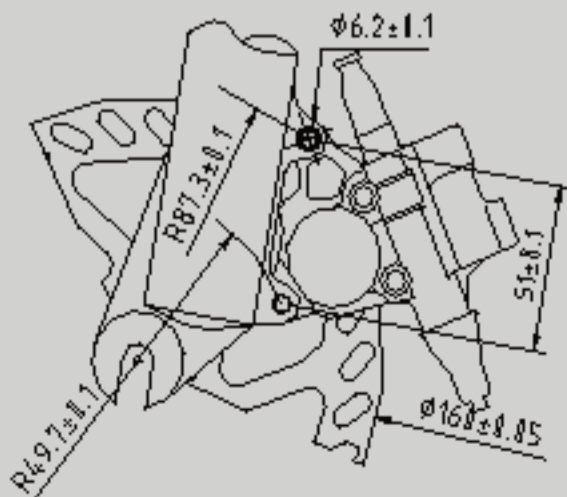
Dimension:mm

	SPECIFICATION	
	A	B
Front wheel	10.5	14.1
Rear wheel	15.25	16.2



Dimensions of Front Fork and Frame Applications :

Front Fork



Frame

