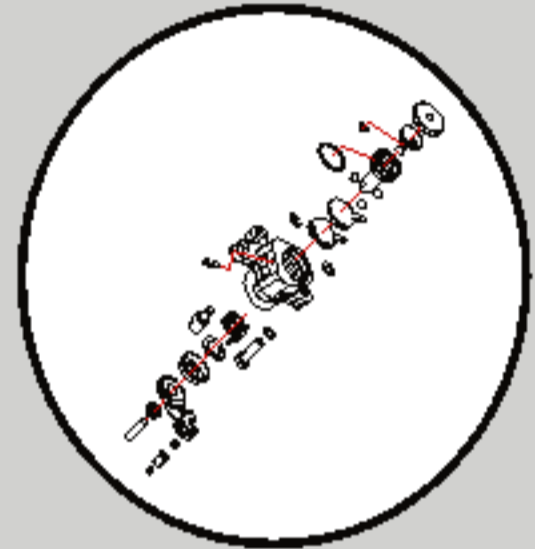
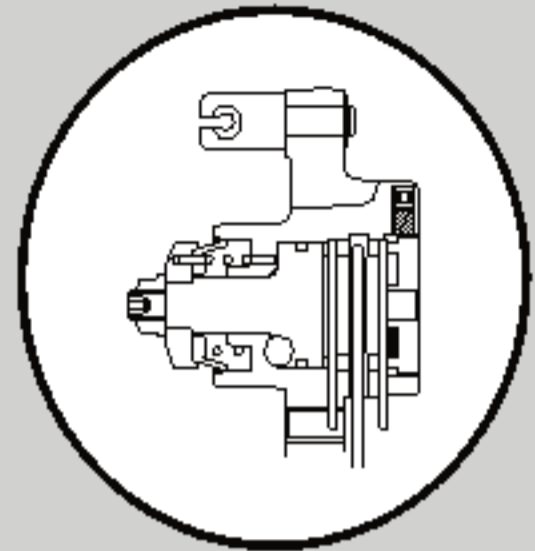


ARMOR 210 DISC BRAKE

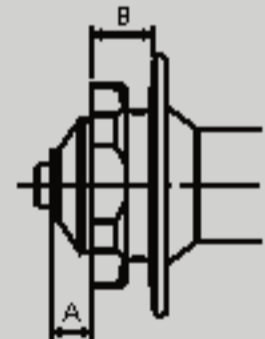
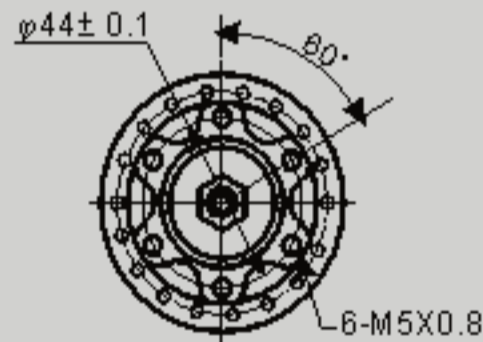
1. Mechanical actuated system with single piston design
2. Pad self-positioning system helps to adjust the pads to the rotor
3. Alloy aluminum caliper body
4. Adjustable Pads
5. Easy pads replacement
6. Non-asbestos brake pads for better heat resistance
7. International standard mount for 160mm (front) and 140 mm (rear) rotors
8. Optional adapters for 180mm (front) and 160mm (rear) rotors are available.



Hub Applications :

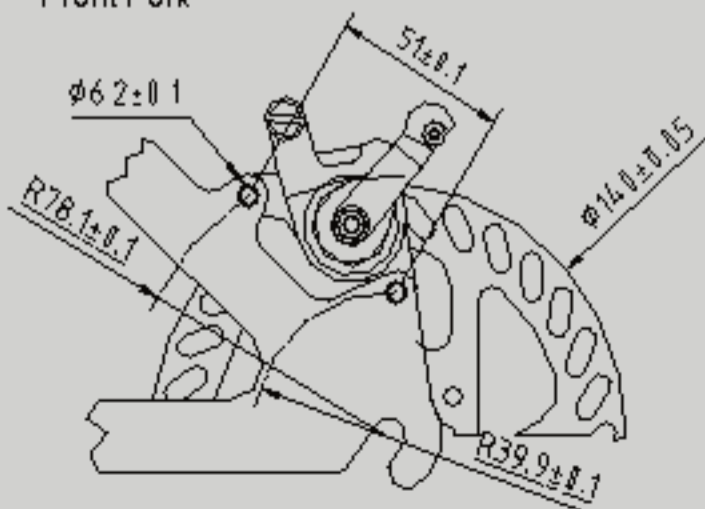
Dimension: mm

	SPECIFICATION	
	A	B
Front wheel	10.5	14.1
Rear wheel	15.25	16.2



Dimensions of Front Fork and Frame Applications :

Front Fork



Frame

